

Cleaning Technology
Municipal Technology
Waterjet Technology

Hako

SCRUBMASTER



*Hako Scrubmaster
B400-R Series*

*Maximum flexibility
for large areas*

Scrubmaster B400 RH



Scrubmaster B400 RM



Scrubmaster B400 R



**LARGE.
INTELLIGENT.
FLEXIBLE.**



Ergonomic workplace
with height-adjustable steering wheel



400-litre solution
and recovery tank

X-AC front and rear drive
(optional)

Area performance up to 14,000 m²/h

Low-dust
sweeping



Three variants – countless possibilities

The new Series comprises a scrubber-drier basic model and two combi machines with high dump or manual emptying system.

**Cleaning in a new dimension –
made for very large areas**

Industrial and commercial areas are constantly increasing in size, and cleaning applications are becoming more and more specific. By launching the new Scrubmaster B400-R Series, Hako meets the demands associated with large-scale tasks: In addition to offering a high area performance of up to 14,000 m²/h and 400 litres tank capacity, the new models are extremely efficient and compact, and provide a wide range of application options. This new product series stands for performance in a completely new dimension – while guaranteeing maximum cost-effectiveness!

SCRUBMASTER B400 RH

Top performance!

The new Scrubmaster B400-R Series guarantees hours of uninterrupted working and a high area performance: thanks to the 400-litre solution and recovery tank, and the maximised battery capacity provided by the optional battery changing system. Equipped with a 3-disc-brush unit in working widths of 123 cm or 155 cm, many extras as a standard as well as Hako-specific features such as the on-board dosing system and the ergonomic, back-friendly design of the workplace, the new Scrubmaster B400-R Series is ready for any big task.



More than clean

More hygiene, reduced operating costs: with Hako-AntiBac®, which equips the tanks with antibacterial properties, and Hako-AquaControl, saving up to 50 % water.



Award-winning comfort

The German association Aktion Gesunder Rücken e.V. (www.agr-ev.de) has awarded the AGR quality label to the new Scrubmaster Series.



Everything at a glance

The clearly-arranged, easy-to-read operating panel with LCD display and reset button is self-explanatory and allows intuitive use. In addition, the one-button operating system starts all major cleaning functions at the push of a button.

This is what we call teamwork

All features and tools work in perfect sync to guarantee consistently excellent cleaning results at any speed level. Comfort and ease-of-use increase efficient working. This is why all cleaning tools and other components that require daily maintenance are easy to access and simple to use, including the optional battery changing system, which ensures uncomplicated changing of the batteries.



Technical perfection

From the flexi-wall tank with a two-stage filter system for coarse dirt and fine particles to the fully integrated, space-saving dirt hopper, the new Scrubmaster B400-R Series has been designed with attention to every detail.



Hako DustStop

The side brooms can be equipped with Hako DustStop, which reduces the development of dust and fine particulates during dry sweeping by up to 90 % in comparison to conventional side brooms.



On-board dosing

Fully integrated in the machine design, the on-board dosing system automatically adds just the right quantity of cleaning detergents, depending on the amount of water supplied to the system during the cleaning process. For more safety in the handling of chemicals.



Self-cleaning squeegee

The squeegee can be rinsed automatically at the push of a button to increase hygiene and make daily servicing easier for the operator. In addition, the squeegee folds up to enable uncomplicated maintenance work.



Countless possibilities

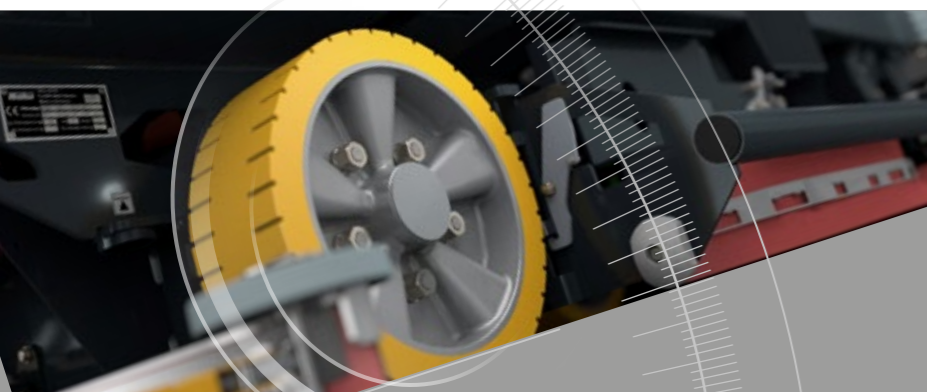
Hako stands for customised solutions without compromise. Individual configurability is very important to us – also when it comes to our largest models. For top performance – tailored to meet your individual requirements!

High-pressure cleaner
The on-board high-pressure device (120 bar at 6 l/min) with built-in power supply thoroughly cleans even in the smallest of corners.



Configurable in every detail

Our customers' demands for hygiene and occupational safety are as varied as their individual fields of application. Structural conditions at the job side, e.g. inclines and gradients, can pose additional challenges. Each of our Scrubmaster B400-R Series models can therefore be equipped with a wide range of individual extras and tools that provide more efficiency, flexibility and safety, along with many other upgrade options.



Performance X-AC
Upgraded with the optional X-AC front and rear drive, the Scrubmasters effortlessly manage inclines of up to 15% – without loss of performance. For excellent results on ramps in multi-storey car parks or warehouses.



Overhead guard
The machines can be equipped with an overhead guard to protect the driver against objects falling from above, for instance in large warehouses.



Safety features
In busy environments such as logistics halls, with plenty of foot and vehicle traffic, the BlueSpot headlight signals an oncoming vehicle; and the rear-view camera provides additional safety.



Wastewater treatment
The on-board wastewater treatment system enables extended operating times without the need to refill the tank. In addition, fewer complete emptying and refill intervals are resource-friendly and protect the environment.



Scrubmaster B400 RH

Vacuum sweeper and scrubber-drier combi machine with high dump

The Scrubmaster B400 RH with high dump is the perfect choice for environments where a lot of coarse dirt regularly accumulates, for instance in production or exhibition halls. With its particularly high net dirt hopper volume, this vacuum sweeper and scrubber-drier combi machine provides sufficient capacity even for large amounts of coarse dirt. Larger pieces of debris can be picked up by hand and thrown into the hopper manually through the integrated coarse dirt flap.

Automated, practical, efficient!

Dumping the hopper contents into waste containers at a height of up to 165 cm has two clear advantages: The automated dumping and disposal process saves time, and the machine operator does not come into contact with the collected dirt.



Features and benefits at a glance:

- Automated high dump
- Coarse dirt flap to throw in litter by hand
- 150-litre dirt hopper
- DustStop for low-dust sweeping



Scrubmaster B400 RM

Vacuum sweeper and scrubber-drier combi machine for manual emptying

The Scrubmaster B400 RM fully demonstrates its strength when it comes to removing normal to medium amounts of coarse dirt. The dry-sweeping function collects larger pieces of debris to clear the path for the brushes and allow thorough wet cleaning. When the job is done, the dirt hopper can be emptied by hand quickly and easily.

Less dirt, less dust

Hako's innovative side broom jacket DustStop reduces the development of dust and fine particulates during dry sweeping, which protects both the immediate environment and, for instance, goods stored on shelves, against rising dust.



Features and benefits at a glance:

- Two 44-litre dirt hoppers
- Take-it-Easy hopper-emptying system
- DustStop for low-dust sweeping
- Sweeping path of up to 168 cm (the squeegee is covered)



Scrubmaster B400 R

Scrubber-drier

With its large area performance and small turning circle, the scrubber-drier model Scrubmaster B400 RM provides perfectly cleaned floors, also in aisles. Hako's quick-connect system allows fast and uncomplicated upgrading with additional tools, such as different pre-sweep units or a light-debris collector.

Up the aisle, back down the aisle – done!

The Scrubmaster B400 R is extremely compact and enables complete U-turns in aisles as small as 230 cm. And our 155-cm-working-width variant is a real timesaver when it comes to cleaning aisles of up to 3 metres: One pass up and back down the aisle is sufficient to provide excellent cleaning results.

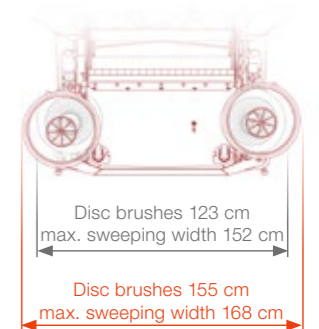


Features and benefits at a glance:

- Complete U-turns in aisles as small as 230 cm
- Quick-connect system allows uncomplicated upgrading with pre-sweep tools or special equipment

Scrubmaster		B400 R/RM/RH 1230	B400 R/RM/RH 1550
Working width scrubbing	cm	123	155
Squeegee width	cm	136	166
Theoretical area performance	m ² /h	11,000	14,000
Max. climbing capacity/ in cleaning mode without/with X-AC	%	6/15	6/15
Working speed	km/h	9	9
Brush system/number of brushes		disc/3	disc/3
Brush contact pressure	kg	55/75/95	80/110/140
Solution and recovery tank capacity	l	400	400
Dirt hopper capacity (gross)* Take-it-Easy high dump**	l	2 x 44 150	2 x 44 150
Nominal voltage	V	36	36
Total output	kW	14.7	16
Battery capacity max.	Ah	540/810	540/810
Length with squeegee R/RM/RH	cm	202/281/281	202/281/281
Width without/with squeegee	cm	130/136	160/166
Height without/with overhead guard	cm	150/212	150/212
Weight, ready to use, without driver	kg	2,110/2,260/2,420	2,130/2,280/2,440
Noise level at the driver's ear R/RM/RH	dB(A)	68/74/74	68/74/74

* Scrubmaster B400 RM
** Scrubmaster B400 RH



More flexibility

Pre-sweep tools and optional extras for special applications provide more flexibility – for instance the coarse dirt flap (only available for the Scrubmaster B400 R).



Optional equipment

Each Scrubmaster can be individually configured to ensure that you always have the right machine at hand for your individual cleaning tasks: with optimally adapted original accessories that provide more efficiency, environmental protection and occupational safety, or perfectly hygienic cleaning results.

Upgrade options	B400 RH	B400 RM	B400 R
X-AC front and rear drive	•	•	•
Overhead guard	•	•	•
Comfort seat	•	•	•
Work light	•	•	•
Flashing beacon	•	•	•
BlueSpot	•	•	•
Rear-view camera	•	•	•
On-board dosing system	•	•	•
DustStop	•	•	•
High pressure cleaner*	•	•	•
Wastewater treatment system*	•	•	•

*only one option possible



Aftersales

Service technicians are available quickly on site when needed. Coordinated by a GPS-controlled assignment planning system, our service technicians are on hand to ensure maximum machine availability and minimum downtime. In addition, our highly efficient parts department can arrange direct over-night delivery of spare parts.

Hako-Fleet-Management

Hako's online-based fleet management tool records all relevant key data of your cleaning machines for central processing and subsequent retrieval via PC or mobile device at any time and place. view.X enables economically efficient use and management of your fleet of machines. In addition, view.X.live transmits important operating data almost in real time; and the electronic machine access authorisation module entry.X prevents unauthorised use.

Quality easily financed

We offer you attractive, customised rental and leasing options for more flexibility and cost-efficiency.



Easy access to the diagnosis interface for maintenance purposes and to modify machine settings.



Hako Machines Ltd
Eldon Close,
Crick, Northampton
NN6 7UD

01788 825600
enquiries@hako.co.uk
www.hako.co.uk



Blue Competence is an initiative of VDMA (www.vdma.org). By engaging in this partnership, we are committed to comply with the twelve sustainability principles applied in the field of mechanical and system engineering (www.bluecompetence.net/about).